

ECODRY80 SUMI56 V

TECHNICAL DATA SHEET

revestech®

Product

Siphonic drain with vertical outlet and waterproofing membrane **ECODRY80** heat-sealed to the drain.

CE MARKED MEMBRANE

1170/014-DdP-2022/09/09
EN 13956:2012



Features	Test Method	Unit	Tolerance	Value
Weight	EN 1849-2	g/m ²	MDV: -5 % and + 10 %	335
Thickness	EN 1849-2	mm	MDV: -5 % and + 10 %	0,52
Water tightness	EN 1928 Meth. B			PASS
Tensile strength	EN 12311-2 Meth. A	N/50 mm	MLV L ≥ 450 MLV T ≥ 150	L = 450 T = 150
Elongation	EN 12311-2 Meth. A	%	MLV L ≥ 25 MLV T ≥ 200	L = 25 T = 200
Overlap resistance	EN 12317-2	N/50 mm	MLV ≥ 600	600
Impact resistance	EN 12691	mm	MLV T ≥ 200	200
Static load resistance	EN 12730 Meth. B	Kg	MLV ≥ 20	20
Pliability at low temperature	EN 495-5	°C	MLV ≥ 40	-40
Reaction to fire	EN 13501-1	Euroclases		E
Length	EN 1848-2	cm	MDV: -0 % and +5 %	75
Width	EN 1848-2	cm	MDV: -0,5 % and + 1 %	75
Visible defects	EN 1850-2			PASS
Straightness	EN 1848-2	mm	MLV g ≤ 50	50
Flatness	EN 1848-2	mm	MLV p ≤ 10	10
Dimensional stability	EN 1107-02	%	MLV L ≤ -0,2 MLV T ≤ -0,7	L = -0,2 T = -0,7

MLV: Manufacturer's Limiting Value. MDV: Manufacturer's Declared Value.

Storage

Store in original unopened packing, protect from moisture, in place properly ventilated at a maximum temperature of 30°C. Protect from direct sunlight.

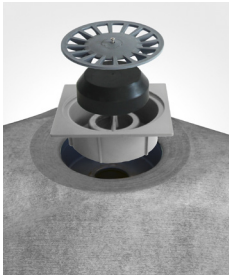
Waste/Grid	Test Method	Unit	Value
Flow rate	UNE-EN 1253:2015	l/s	See next page
DGrid dimensions		mm	See next page
Effects of chemicals in waste / grid / channel	Stable to products normally used with ceramic coatings, cleaning and maintenance.		
Composition	Waste: PVC Grid: polypropylene		

Bond membrane/waste: heat-sealed

responsible
waterproofing

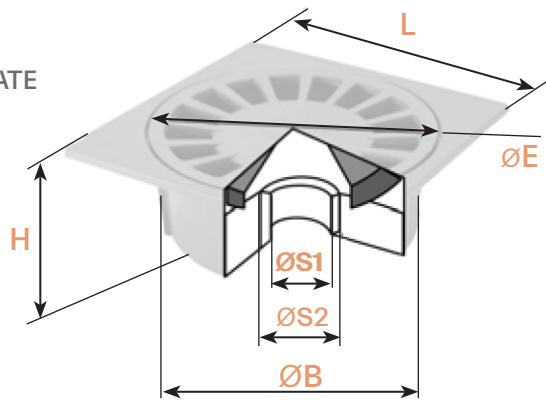
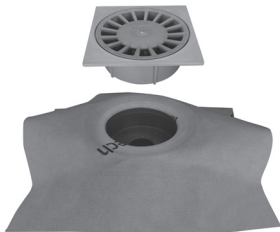
ECODRY80 SUMI56 V

TECHNICAL DATA SHEET



Vertical outlet Ø 32–40 grate 10×10 cm	596352025	ECODRY50 SUMI56 100 V	Box 1 ud. Membrane 75 cm x 75 cm
Vertical outlet Ø 40–50 grate 15×15 cm	596352049	ECODRY50 SUMI56 150 V	Box 1 ud. Membrane 75 cm x 75 cm
Vertical outlet Ø 90–110 grate 20×20 cm	596352056	ECODRY50 SUMI56 200 V	Box 1 ud. Membrane 75 cm x 75 cm
Vertical outlet Ø 90–110 grate 25×25 cm	596352070	ECODRY50 SUMI56 250 V	Box 1 ud. Membrane 75 cm x 75 cm
Vertical outlet Ø 90–110 grate 30×30 cm	596352087	ECODRY50 SUMI56 300 V	Box 1 ud. Membrane 75 cm x 75 cm

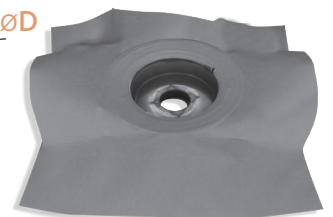
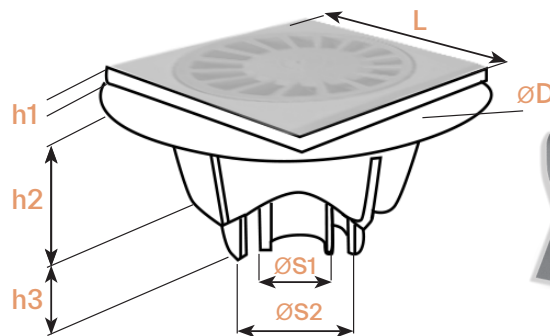
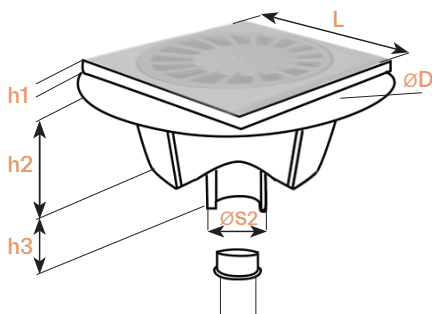
ECODRY80 SUMI56 V GRATE



	Ø E (mm)	L (mm)	OUTLET				
			Ø S1 (mm)	Ø S2 (mm)	Ø B (mm)	H	M/H
ECODRY80 SUMI56 100 V	87	100×100	32	40	90	48	H
ECODRY80 SUMI56 150 V	138	150×150	40	50	145	55	H
ECODRY80 SUMI56 200 V	180	200×200	75	75	188	88	H
ECODRY80 SUMI56 250 V	230	250×250	90	110	238	98	H
ECODRY80 SUMI56 300 V	229	300×300	90	110	240	98	H

ECODRY80 SUMI56 100 V and 150 V DRAIN

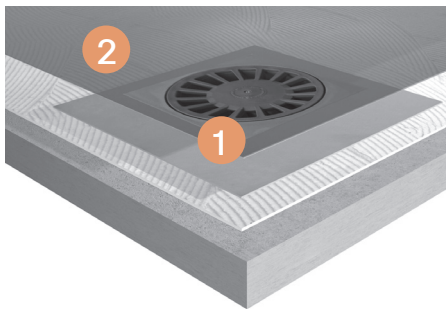
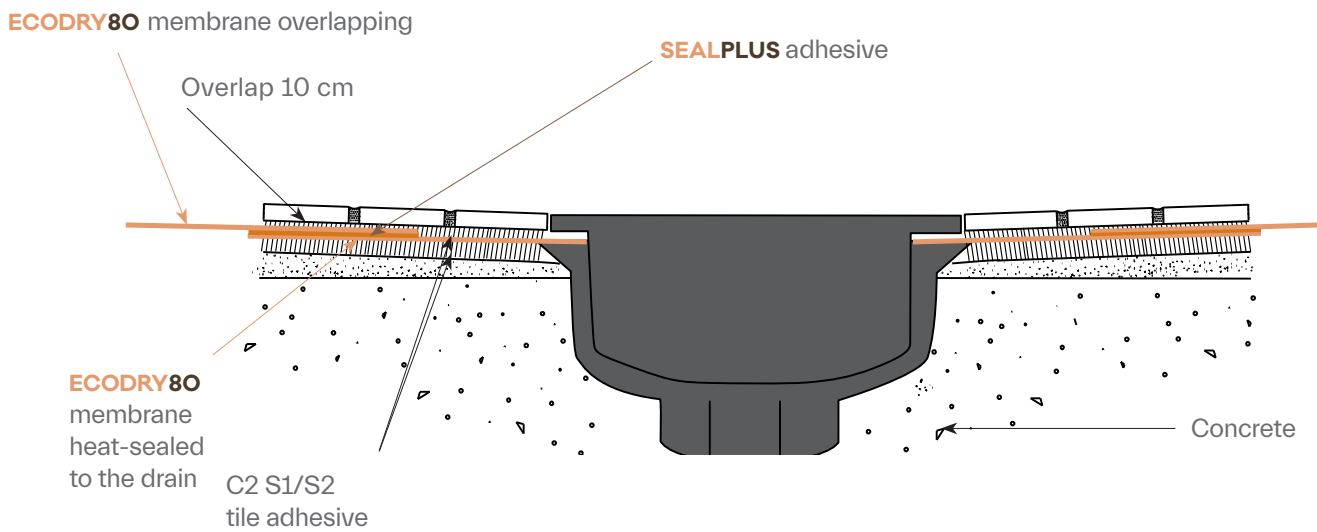
ECODRY80 SUMI56 200 V, 250 V and 300 V DRAIN



	Ø D (mm)	L (mm)	OUTLET						FLOW RATE	
			Ø S1 (mm)	Ø S2 (mm)	h1 (mm)	h2 (mm)	h3 (mm)	M/H	Liter/second	
ECODRY80 SUMI56 100 V	147	100×100	32	40	6	45	25	H	Ø S1: 0,61	Ø S2: 0,67
ECODRY80 SUMI56 150 V	213	150×150	40	50	8	54	30	H	Ø S1: 0,71	Ø S2: 1,20
ECODRY80 SUMI56 200 V	270	200×200	90	110	8	92	49	H	Ø S1: 2,47	Ø S2: 2,47
ECODRY80 SUMI56 250 V	347	250×250	90	110	7	92	49	H	Ø S1: 2,47	Ø S2: 2,47
ECODRY80 SUMI56 300 V	347	300×300	90	110	7	92	49	H	Ø S1: 2,47	Ø S2: 2,47

WATERPROOFING SCHEME **ECODRY80 SUMI56 V DRAIN**

For a perfect finish, preferably install the **ECODRY80 SUMI56 V** drain with a heat-sealed membrane of 75 cm x 75 cm, with the membranes adhered by **SEALPLUS** adhesive with a minimum overlap of 10 cm.



1. **ECODRY80 SUMI56 V** DRAIN with heat-sealed membrane
2. **ECODRY80** membrane overlapping